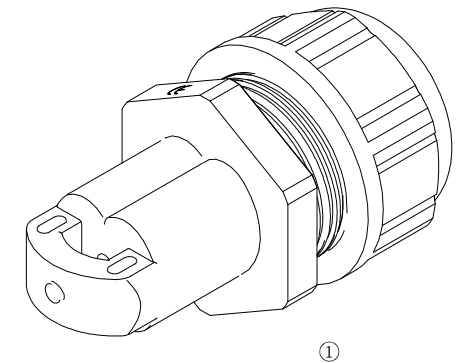
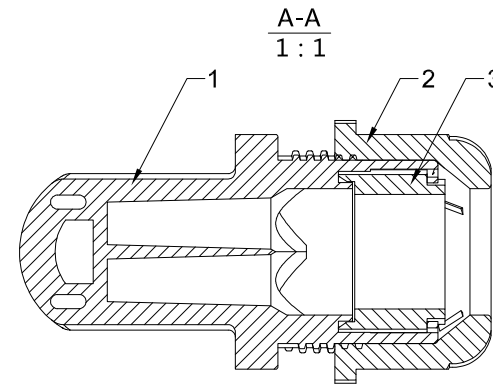
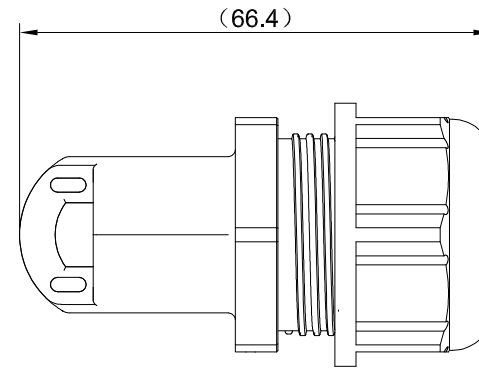
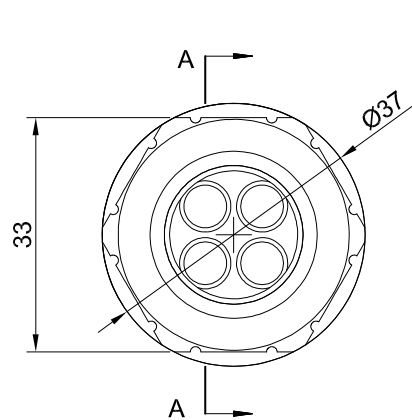





CHANGE NO.	CHANGE CONTENTS	REV.	NAME/DATE



Notes:

1. Cable Size: 10~16mm;
2. Nut Torque: 3.0~5.0N·m;
3. Waterproof Rating: IP68;
4. Operating Temperature Range: -40~105°C;
5. Packaging: Blank Cartons

3	SEALING BUSHING		Rubber	1	
2	ROUND NUT		PA6	1	
1	JOINT BODY		PA6	1	
NO.	NAME	TYPE	MAT.	QTY.	REMARK
TOLERANCES UNLESS OTHERWISE SPECIFIED		MATERIAL			
±0.5		 NAME 3/4-wire Bus Cable End Cap			
DWN.	FANTING 2021-10-14	UNIT	mm	 	DRAWING NO.
CHK.	TIANXING 2021-10-14	SHEET	—	OF	—
		REV.	2.0		