

Transport and Storage Requirements, Standard unpacking Instruction of JA Solar PV Modules

2024.V1.0

Packaging Introduction Packaging Introduction Packaging Introduction Packaging Introduction Packaging Introduction Packaging Introduction Packaging Introduction Packaging Introduction Packaging Introduction Packaging Introduction Packaging Introduction



JA Solar Technology Co., Ltd.
Add: Building No.8, Nuode Center, Automobile Museum East Road, Fengtai District, Beijing,China
Tel: +86 (10) 63611888
Email: sales@jasolar.com



目录

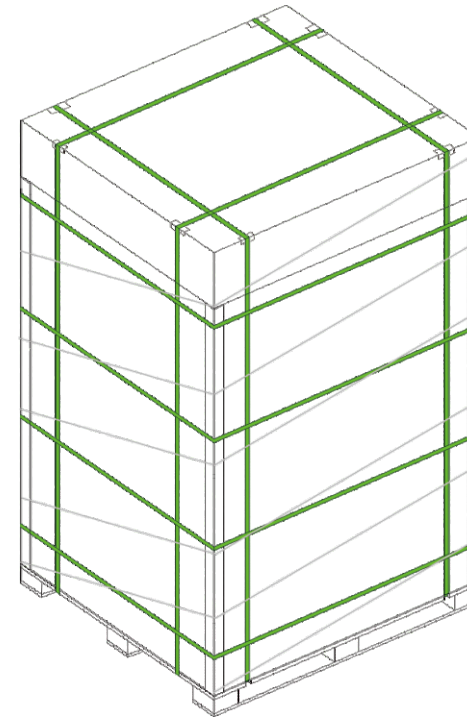
1、 The specification applies to the PV modules.....	3
2、 Transportation and storage of PV modules.....	4
3、 Unpacking instructions for vertical packaging A.....	6
4、 Unpacking instructions for vertical packaging B.....	9
5、 Temporary placement after unpacking.....	11

The specification applies to the PV modules

JAM54S30MR/JAM66S30MR/ JAM72S30MR/JAM78S30MR/JAM54S40MR/JAM66S40MR/JAM72S40MR/JAM78S40MR
JAM54S30LR/JAM72S30LR/JAM60S40LR/JAM60S42LR/JAM66S42LR/JAM66S45LR/JAM66S46LR/JAM72S42LR
JAM54D40MB/JAM72D30MB/JAM72D40MB/JAM60S42LR/JAM66D42MB/JAM78D30MB/JAM78D40MB
JAM54D40LB/JAM60D40LB/JAM72D30LB/JAM72D40LB/JAM72D42LB/JAM66D45LB/JAM66D46LB



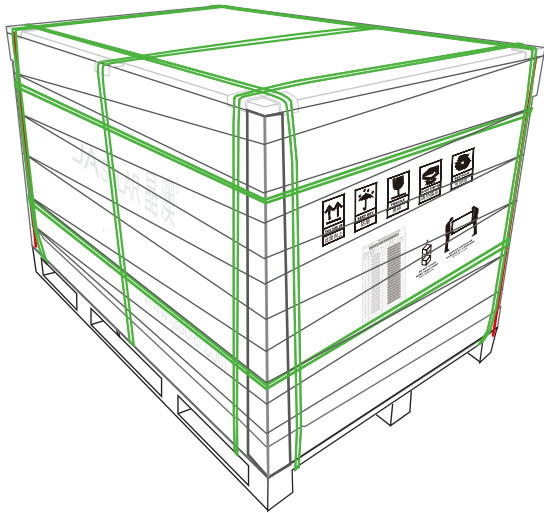
Vertical packaging A



Vertical packaging B

Transportation and storage of PV modules

1、There is a layer of plastic film surrounding the JA Solar PV Modules package (hereinafter referred to as “Modules”); it can protect the package from general dirt and water. There is no need to remove the film if the pallet is in a long-distance transit or in long-term storage.



2、The package can be shipped by land, sea or air. The Modules are fragile: please ensure that the package won't roll or fall down during the transportation. The package should not be shocked. The package is not completely damp-proof. The damp may be damaging if it penetrates the package material since it can reduce its structural strength. The package must not get wet during the transportation and storage. In order to avoid any damage do not step on the package. JA Solar Modules package can be stacked up to two layers. The total stacking quantity must Meet the requirements



此面向上
THIS SIDE UP



防潮
KEEP DRY



易碎
FRAGILE



请勿踩压
DO NOT STEP ON

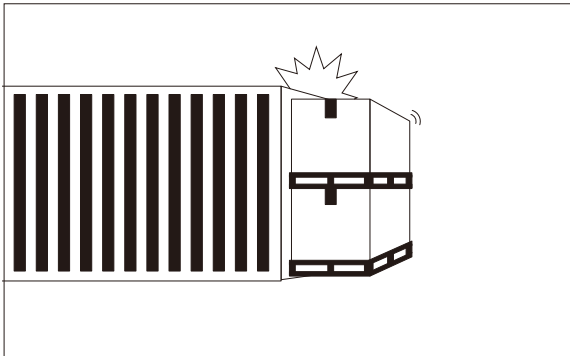


最高2托
UP TO 2 PALLETS

3、It's forbidden to put the package together with corrosive chemicals, inflammable and explosives, please away from these.



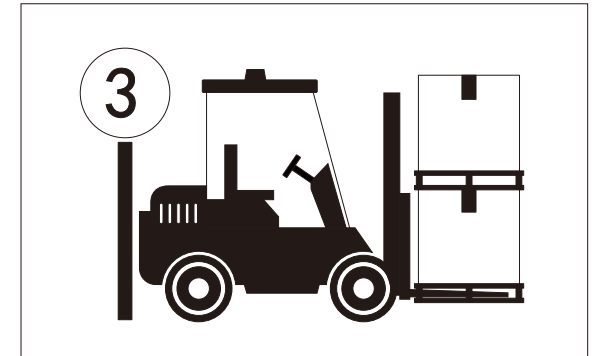
Transportation and storage of PV modules



1. Pay attention to avoid top bumps and side scrapes when entering and exiting the container.



2. Be careful when handling and do not hit the load.



3. The speed limit for forklift handling is 3km/h.

Unpacking instructions for vertical packaging

Attention:

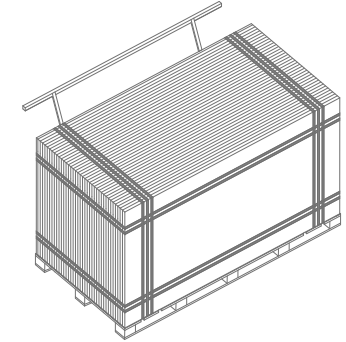
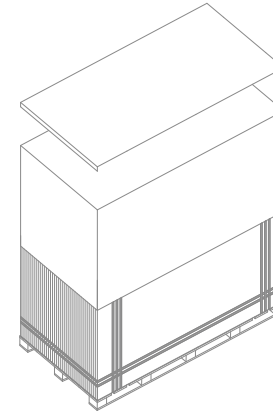
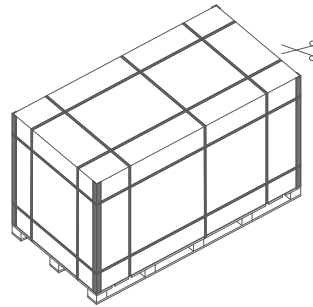
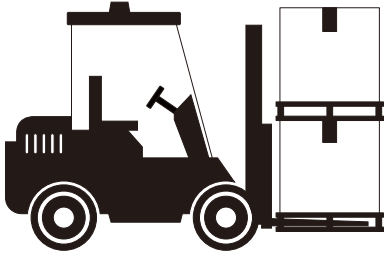
1. It is forbidden to unpack the package outdoor when it is raining. The carton will become soft and the PV module (Hereinafter referred to as “Modules”) will slip out of the package.
2. The operators need to be careful on a windy day; in strong wind conditions the operators must not operate and unpack the package.
3. It is preferable not to move the Modules from the package if not needed to and to fasten those which have been unpacked.
4. The unpacking location ground should be stable for setting the package and avoiding the collapse of the box.
5. Please wear gloves throughout the entire unpacking process in order to protect your hands and avoid leaving handprint on the surface of the glass, cotton gloves are recommended

Equipment and Toll: cutter, glove and forklift

Operators: No less than 4 persons.



Unpacking instructions for vertical packaging A



1. Use a forklift to transport the packing carton with the underneath pallet to the operation area. The package must not be shocked or shaken when moving it.

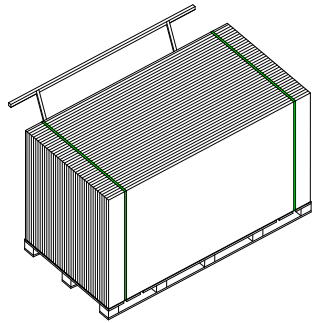
2. Use scissors or safety knives to disassemble the upper plastic-steel packing tape, and then remove the top plastic film and the surrounding wrap film.

3. Remove the top cover and peripheral board

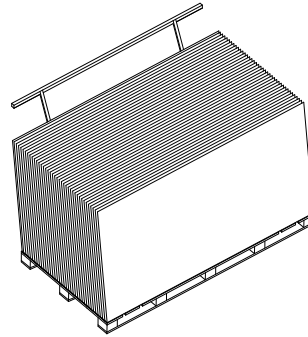
4. Put the fixed support Next to the photovoltaic modules.

Check if the packing label is complete, for example, check the module power and other information on the shipping mark.

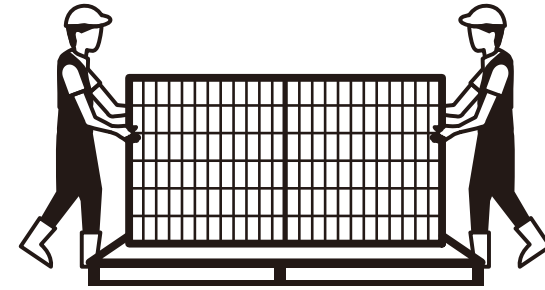
Unpacking instructions for vertical packaging A



5. When the straps are down to two, Move the PV modules to the fixed support.

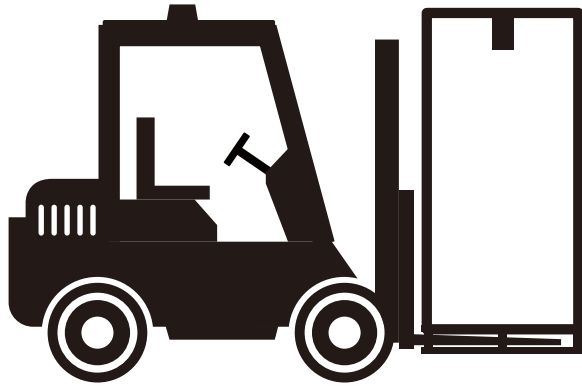


6. The photovoltaic module rests on the fixed support.

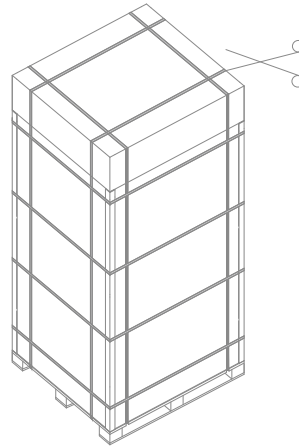


7. Two people move the photovoltaic module at the same time.

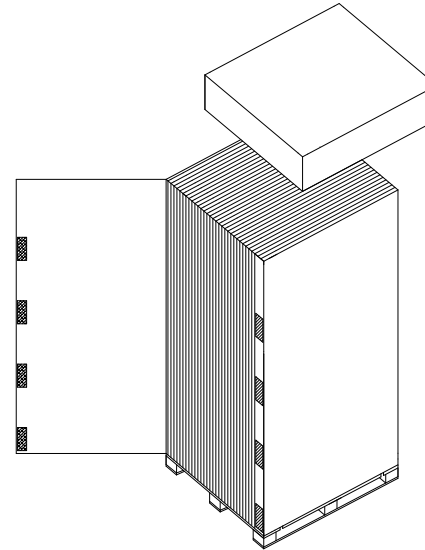
Unpacking instructions for vertical packaging B



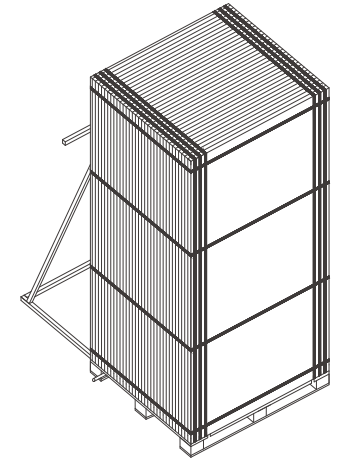
1. Use a forklift to transport the packing carton with the underneath pallet to the operation area. The package must not be shocked or shaken when moving it.



2. Use scissors or safety knives to disassemble the upper plastic-steel packing tape, and then remove the top plastic film and the surrounding wrap film.



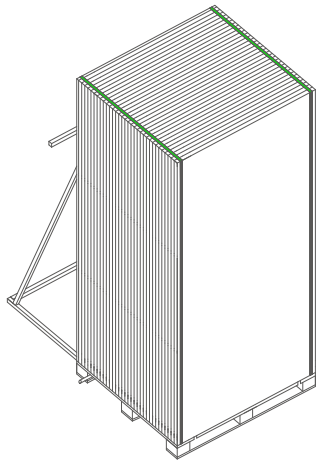
3. Remove the top cover and peripheral board



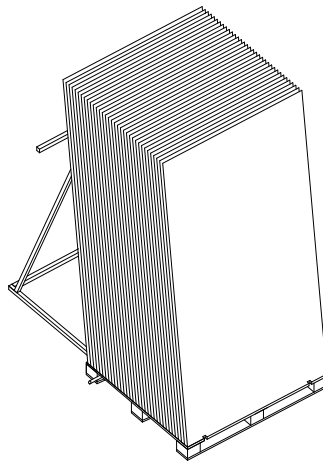
4. Put the fixed support Next to the photovoltaic modules.

Check if the packing label is complete, for example, check the module power and other information on the shipping mark.

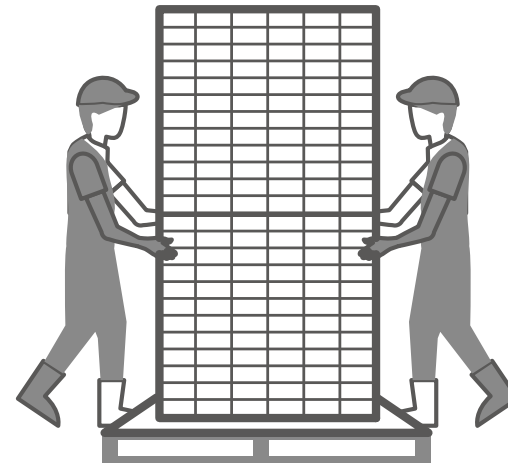
Unpacking instructions for vertical packaging B



5. When the straps are down to two, Move the PV modules to the fixed support.



6. The photovoltaic module rests on the fixed support.



7. Two people move the photovoltaic module at the same time.

Temporary placement after unpacking

If the Modules are not installed immediately and you need to put them horizontally, place first the package cover on a pallet. Then put the first module into the cover and keep it glass face up. Then stack other Modules on the top and keep them glass face down. When the Modules are stacked horizontally, the frames should be alignment, the paper corners of the module should not be torn off and should be completely retained, and the maximum number of Modules is no more than the number of Modules in one package.

After the photovoltaic module is placed horizontally, it needs to be fixed with a packing tape if it is moved

