

ValkPitched - Trapezoidal Rivet

Installation manual

Use in combination with the Project Report of the ValkPVplanner

VAN DER VALK



Van der Valk Solar Systems

Developer and producer
of solar mounting systems



ValkPitched - Trapezoidal Rivet

Installation manual

Use in combination with the Project Report of the ValkPVplanner

VAN DER VALK



Van der Valk Solar Systems

Developer and producer
of solar mounting systems

Table of contents

Disclaimer	Page -
Necessary tools for ValkPitched - Trapezoidal	Page 01
Portrait:	
Marking the measurement points	Page 02
Marking the measurement points	Page 03
Drilling holes for trapezoidal profile	Page 04
Mounting trapezoidal profile	Page 05
Mounting panels (side)	Page 06
Mounting panels (middle)	Page 07
Landscape:	
Marking the measurement points	Page 08
Marking the measurement points	Page 09
Drilling holes for trapezoidal profile	Page 10
Mounting trapezoidal profile	Page 11
Mounting panels (side)	Page 12
Mounting panels (middle)	Page 13

Please note

- This manual is not project specific.
- This manual is not legally binding.
- No right may be derived from this installation manual.
- Use this manual in combination with the ValkPVplanner project report.
- Check 'Datasheet Cable management' for cable suggestions.



ValkPitched - Trapezoidal Rivet

Installation manual

Use in combination with the Project Report of the ValkPVplanner



Van der Valk Solar Systems
Developer and producer
of solar mounting systems

Disclaimer

This installation manual must be seen in addition to the project report which shows you specific information about your project like a project drawing and ballast plan for flat roofs.

The project report is a result of the calculation tool, the ValkPVplanner. This online calculation tool and/or the project reports derived from this tool were composed with the greatest possible care. Nonetheless, it is possible that some information might not be entirely correct as the results for each project report can be based on default values, which values always need to be checked by you. The instructions provided in this project report must be observed at all times. All applicable standards and appendixes have been integrated in this online calculation tool.

All current structural, safety and building regulations must be observed. Solar mounting systems installed on roofs will be exposed to wind and snow. The building in question will be subject to a load as a result of the PV system. A design calculation must be used to establish whether or not the building will be able to withstand the extra load. Where necessary, modifications need to be made.

Flat roof systems should either be attached to the roof or need to be supported by ballast, to make sure that the system is unable to be lifted or tipped over. The ballast specified in the ValkPVplanner project report will be vital to ensure that the mounting system can be used. Flat roofs with an angle above 5 degrees must be attached to the roof.

The calculations in the online calculation tool do not take into account obstacles in the near surrounding like high buildings, cliffs and mountains. Restrictions also apply for the position of the system on a roof. The solar panels must be installed at a certain distance from edge of the roof as shown in this project report and the installation manual.

The standard warranty for pitched roof, flat roof and ground mount systems is 10 years, which can be extended under certain conditions. The guarantee provided is subject to the guarantee conditions stated in the general terms and conditions stipulated by Van der Valk Solar Systems B.V. Our terms and conditions shall apply to all our products and can be found on our website: www.valksolarsystems.com.

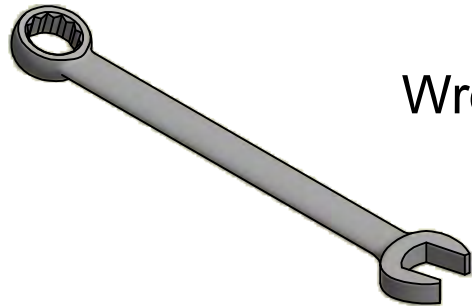
Van der Valk Solar Systems B.V. does not accept any liability for any direct and/or indirect consequences of any act (or omission) ensuing from the information in or the failure to observe the instruction provided in the project report and the installation manual and for possible incorrect results resulting from the use of this online calculation tool which was made available to you.

The mounting system is a product that has been produced by: Van der Valk Solar Systems B.V.
Registered with the chamber of commerce for Haaglanden under number 27355116.
www.valksolarsystems.com

Issue date: February 2020

Necessary Tools For ValkPitched - Trapezoidal

VAN DER VALK



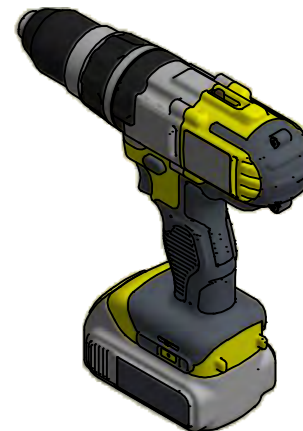
Wrench 10



Blind riveter



torx bit T30

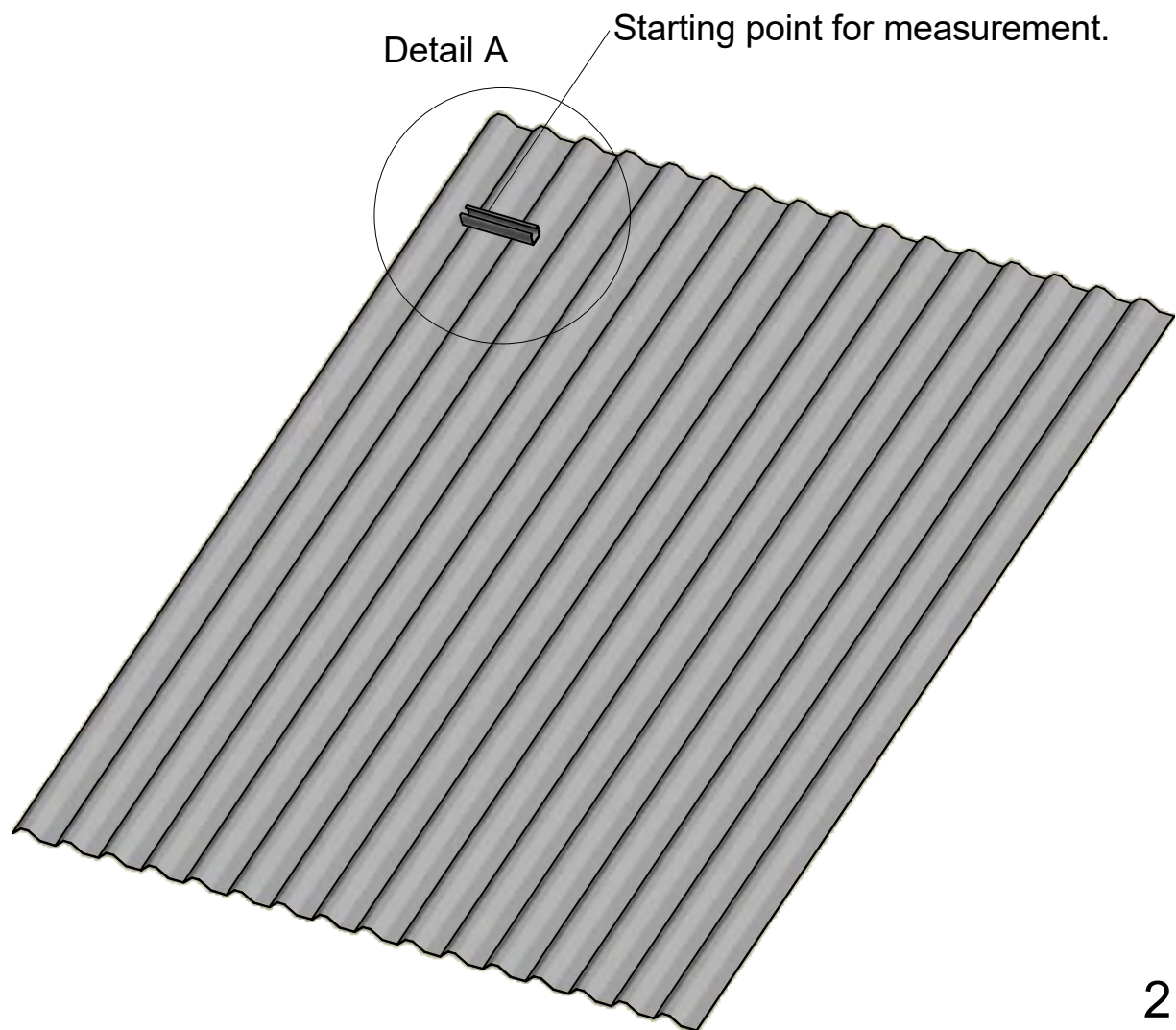
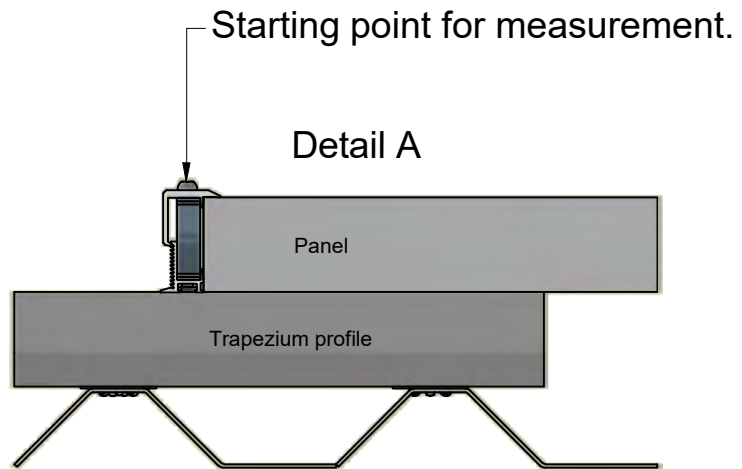
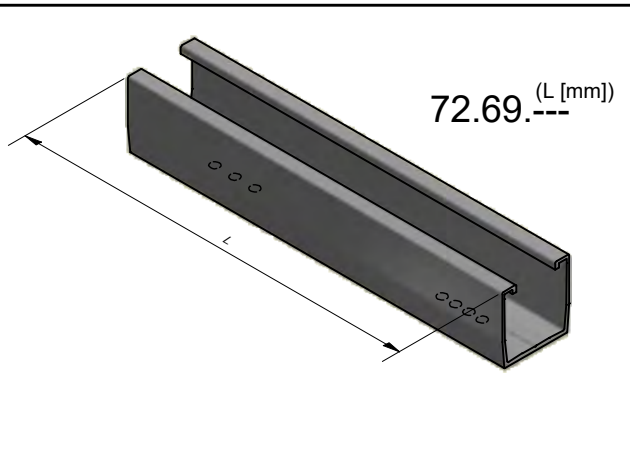


Cordless drill
(torx bit T30)



portrait

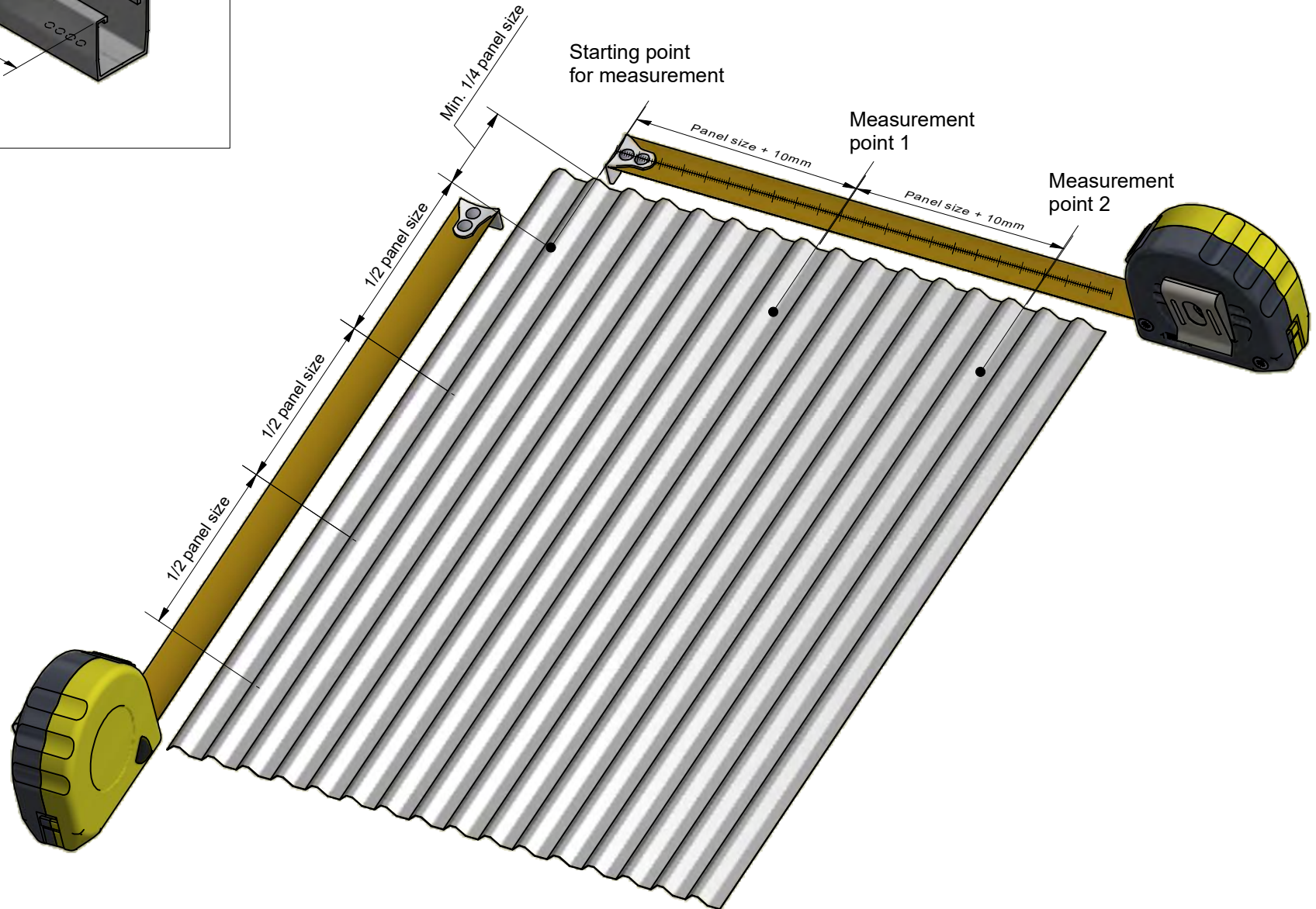
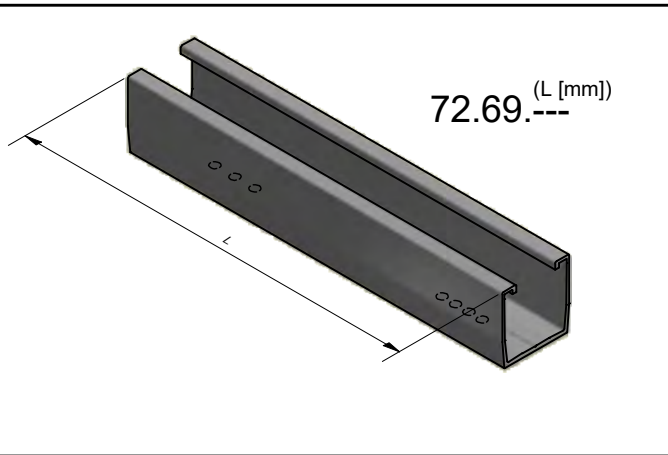
Marking the measurement points





portrait

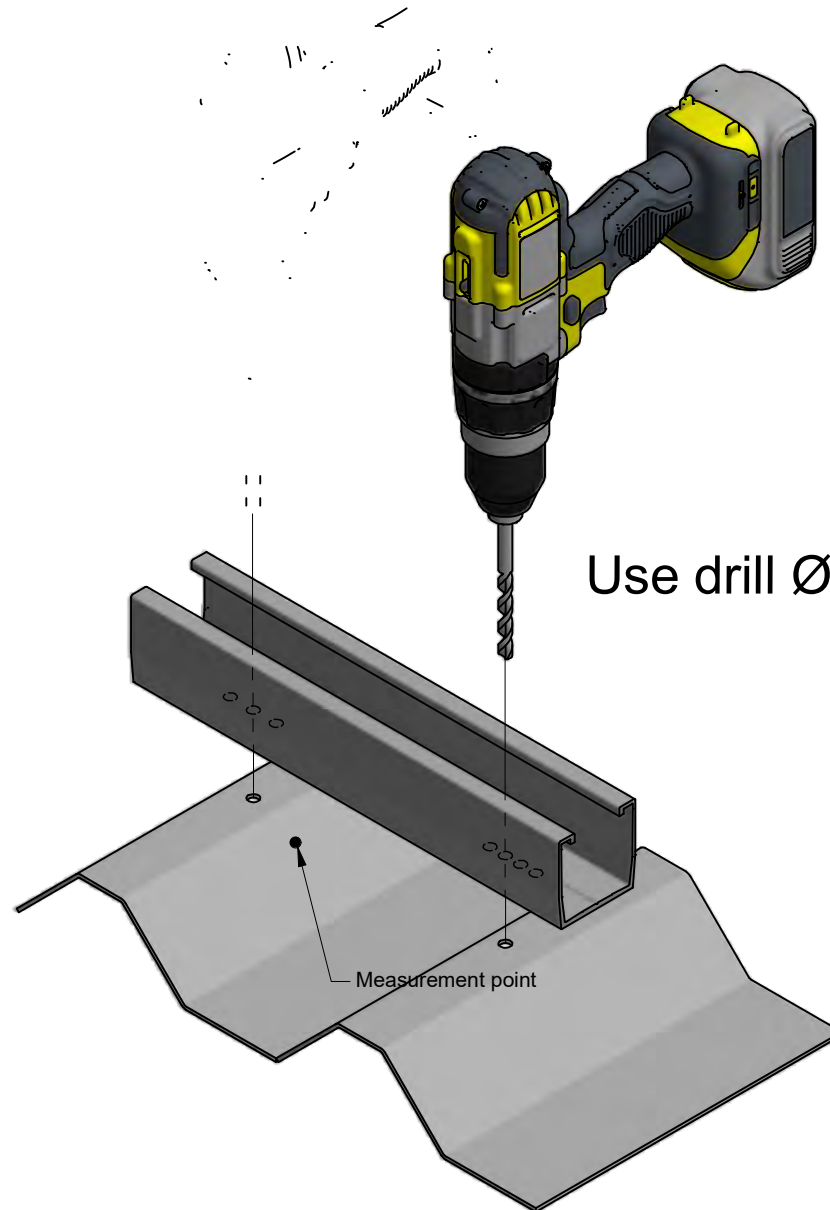
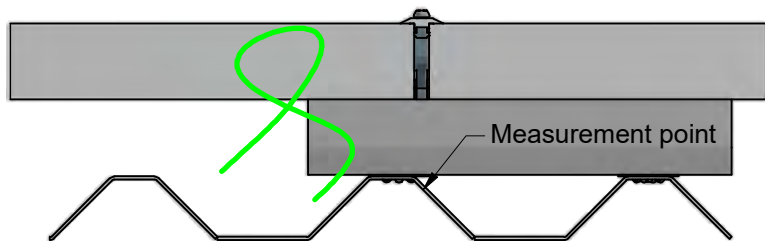
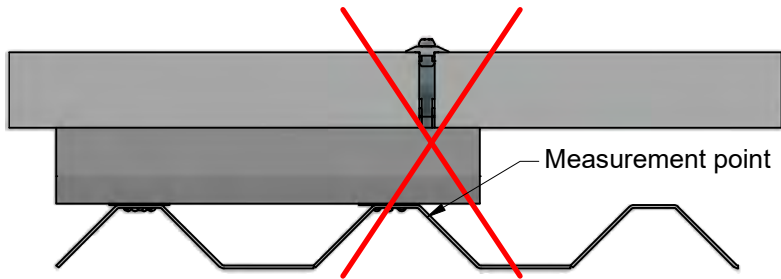
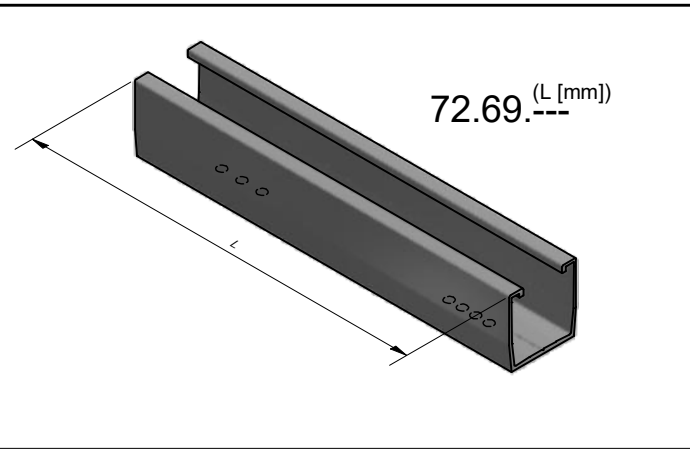
Marking the measurement points





portrait

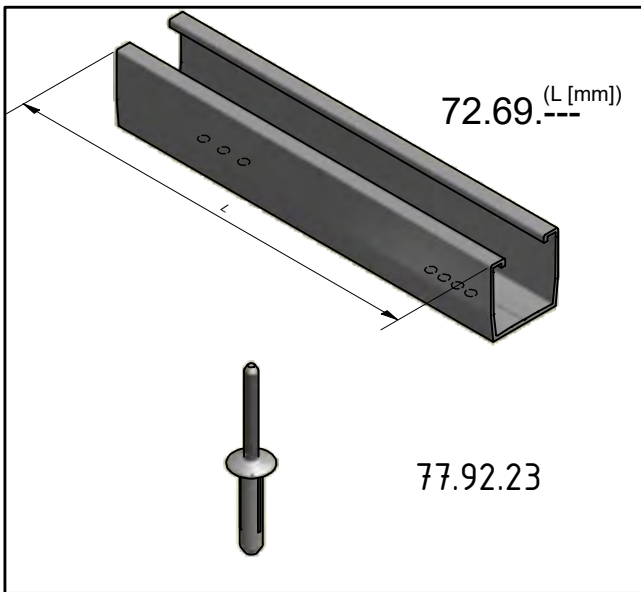
Drilling the holes for the trapezium profile



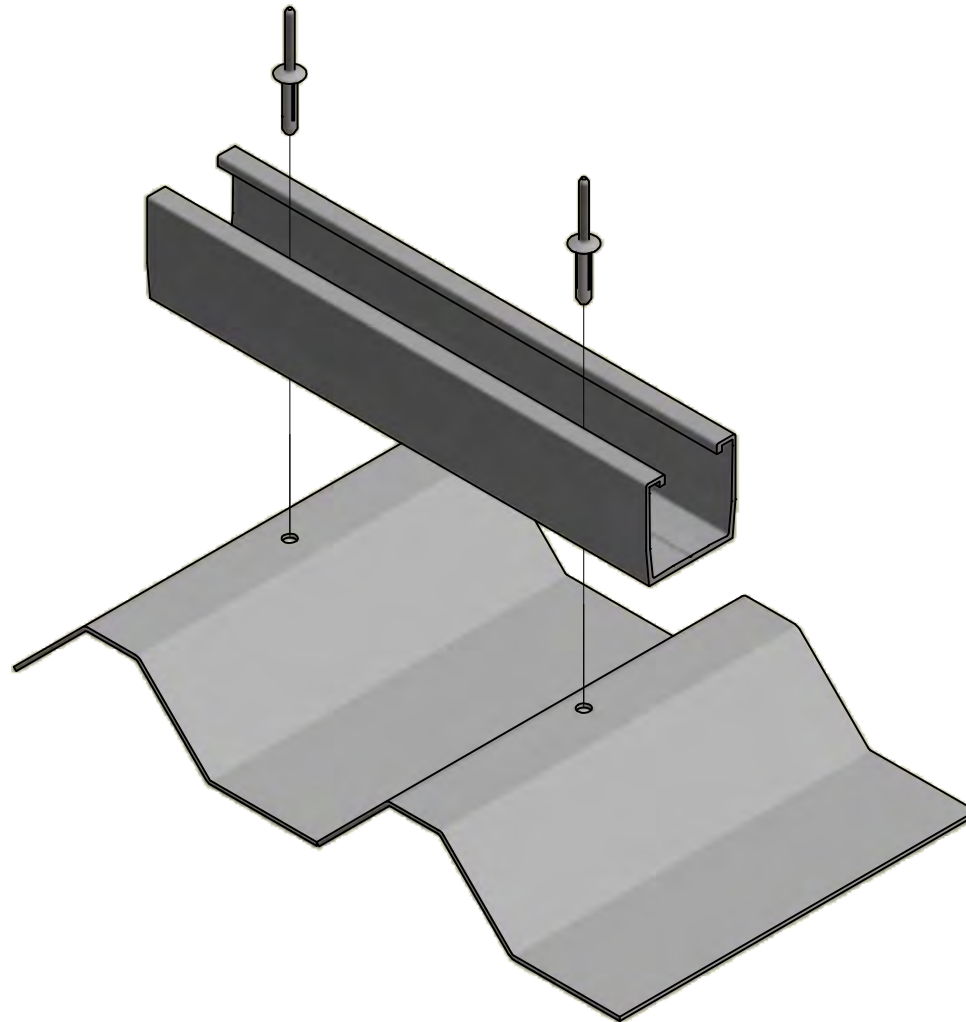


portrait

Mounting trapezium profile



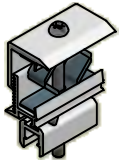
- * To assemble the blind rivets use an operating tool with a diameter of 6,5mm.
- * Mechanical tools must have a minimum Traction Power of 12,5Kn and a stroke of 21mm.



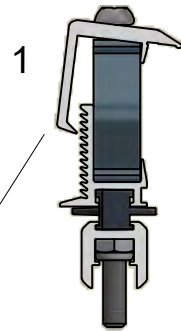


portrait

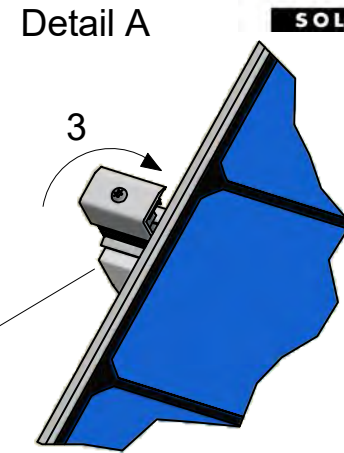
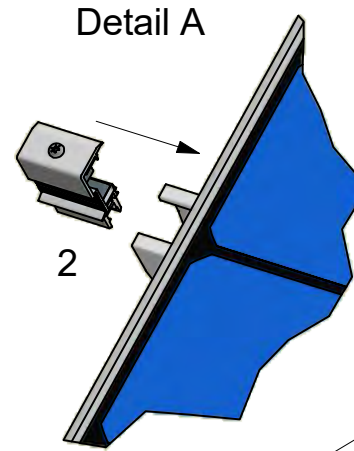
Mounting panels



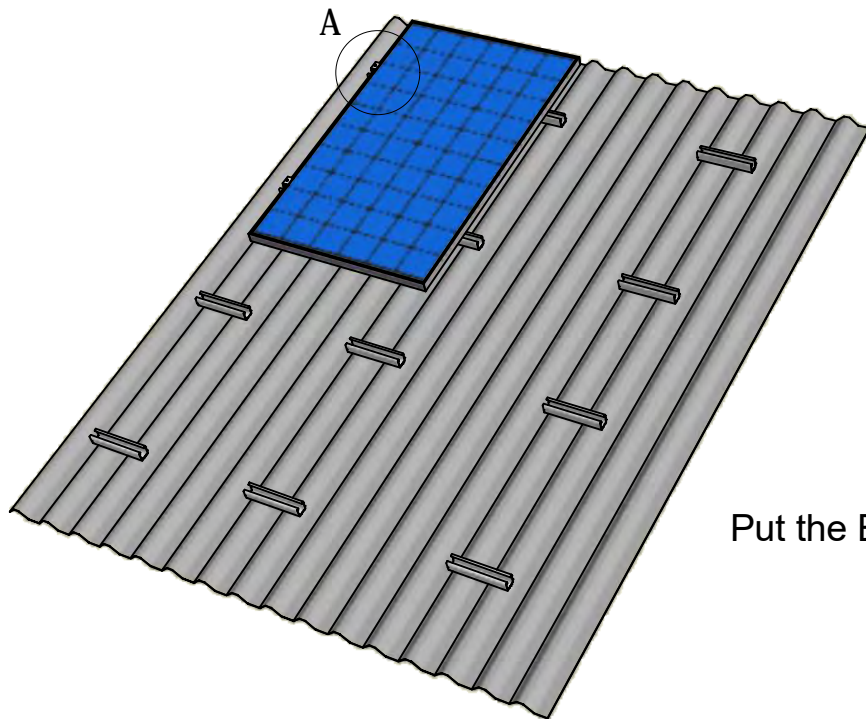
72.15.52



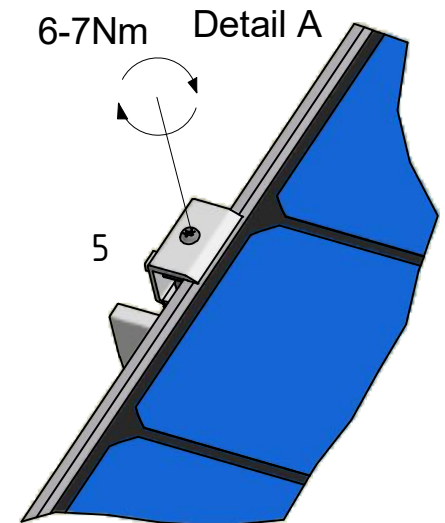
1
Take the End Clamp out of it's slot to make the assembly easier.



2
3
The End Clamp can only be turned clockwise, so make sure that the End Clamp is placed the right way.



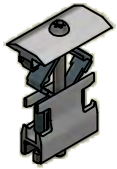
4
Put the End Clamp in the right slot to continue the assembly.



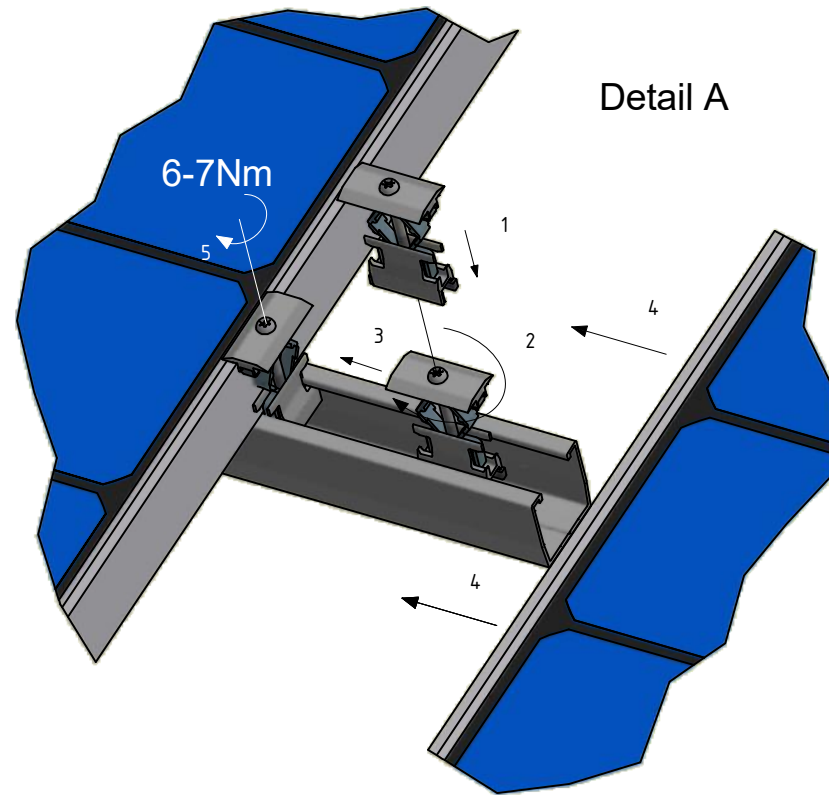


portrait

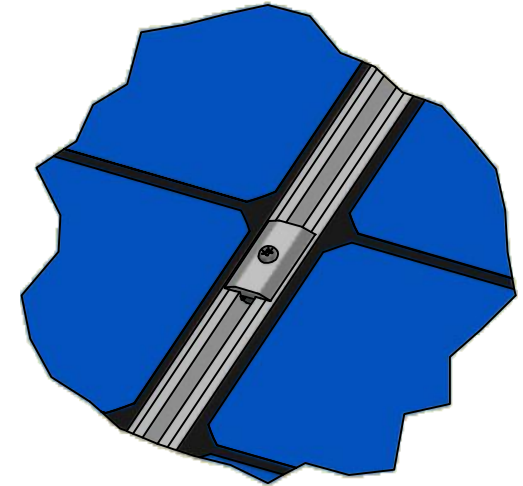
Mounting panels



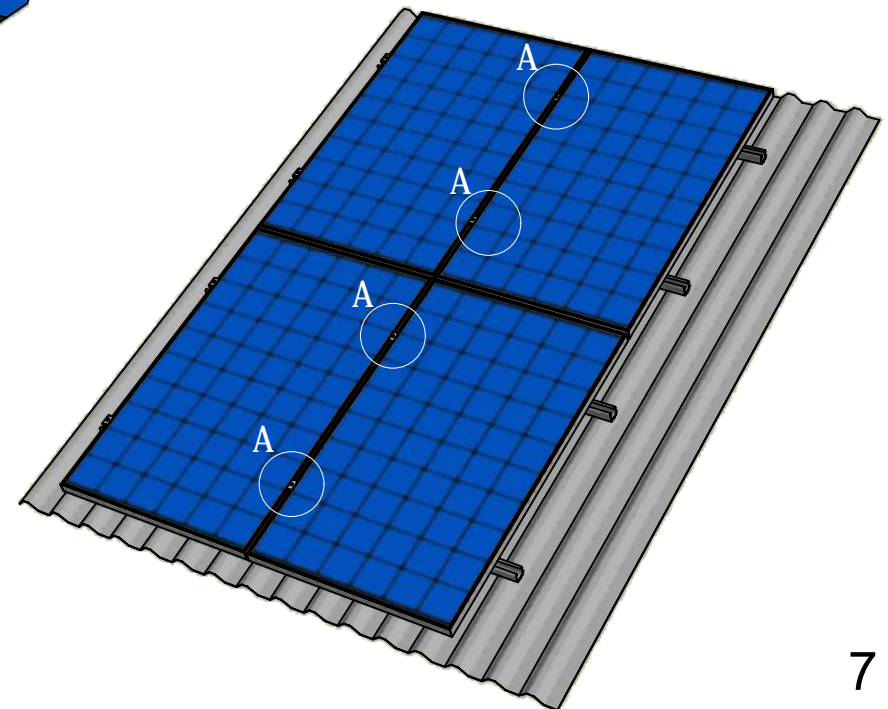
72.15.50



Detail A



Detail A

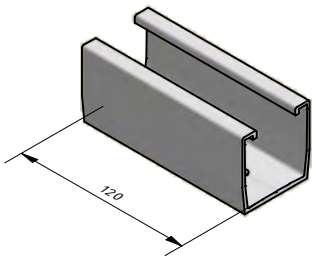


Landscape

Marking the measurement points



72.69.120

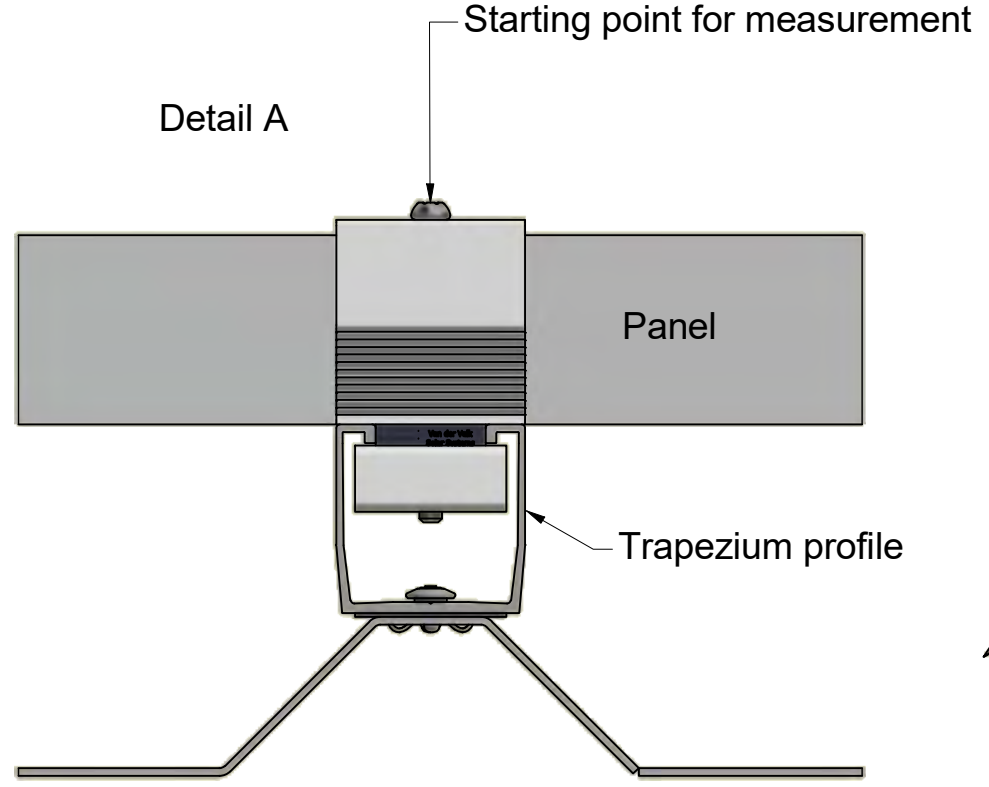


Detail A

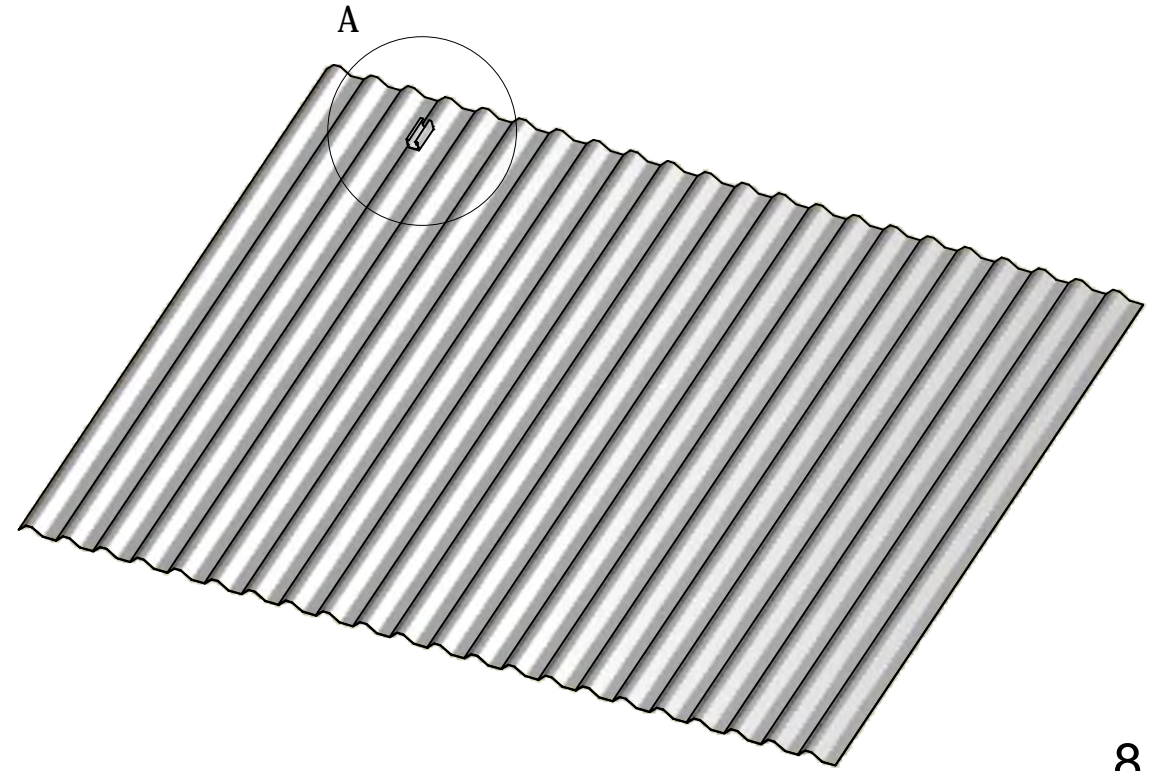
Starting point for measurement

Panel

Trapezium profile



A



Landscape

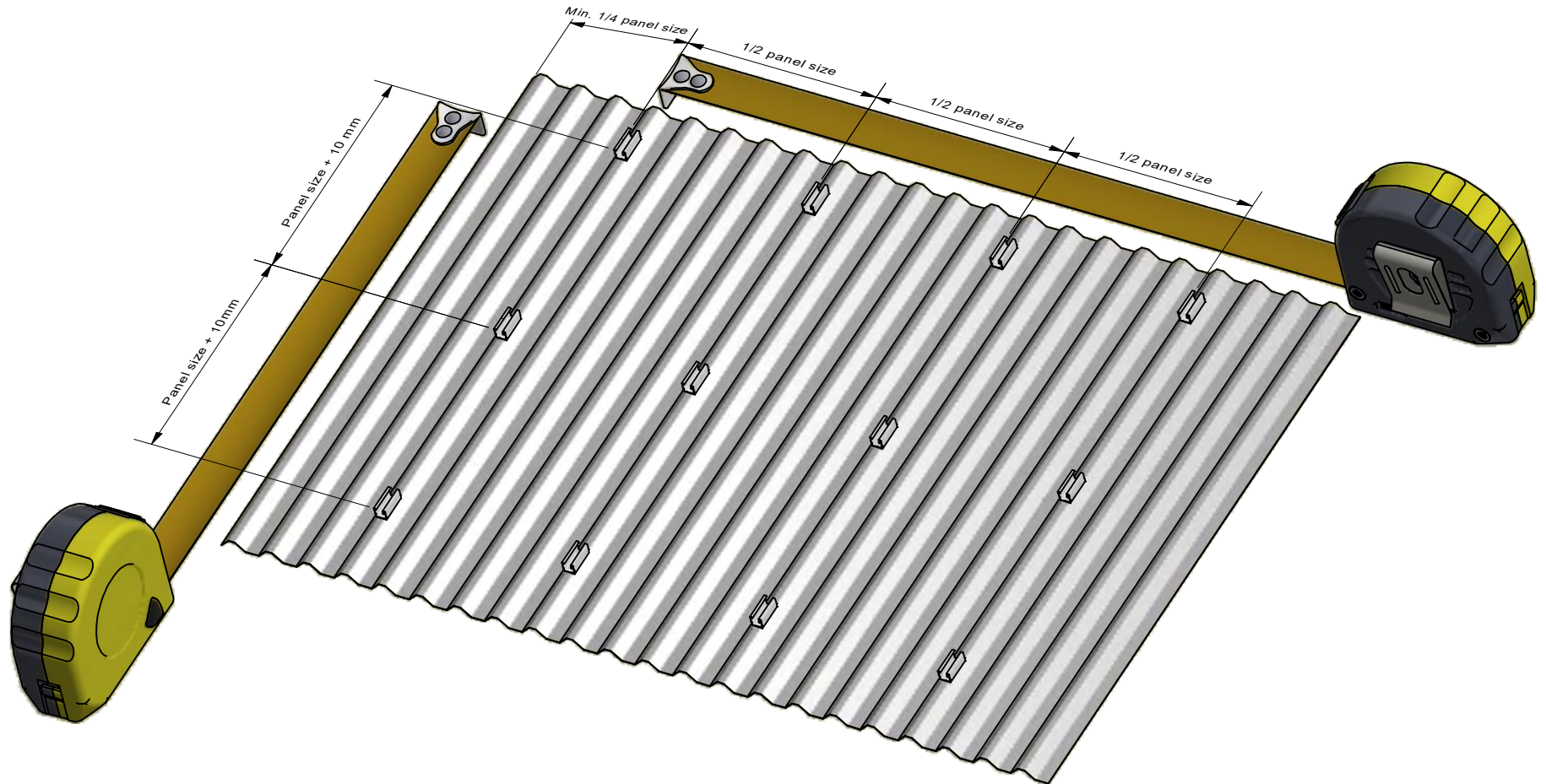
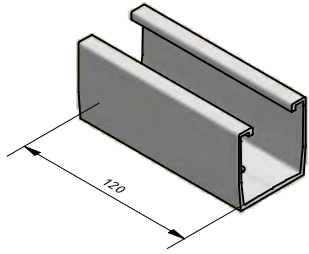
Marking the measurement points

VAN DER VALK



SOLAR SYSTEMS

72.69.120



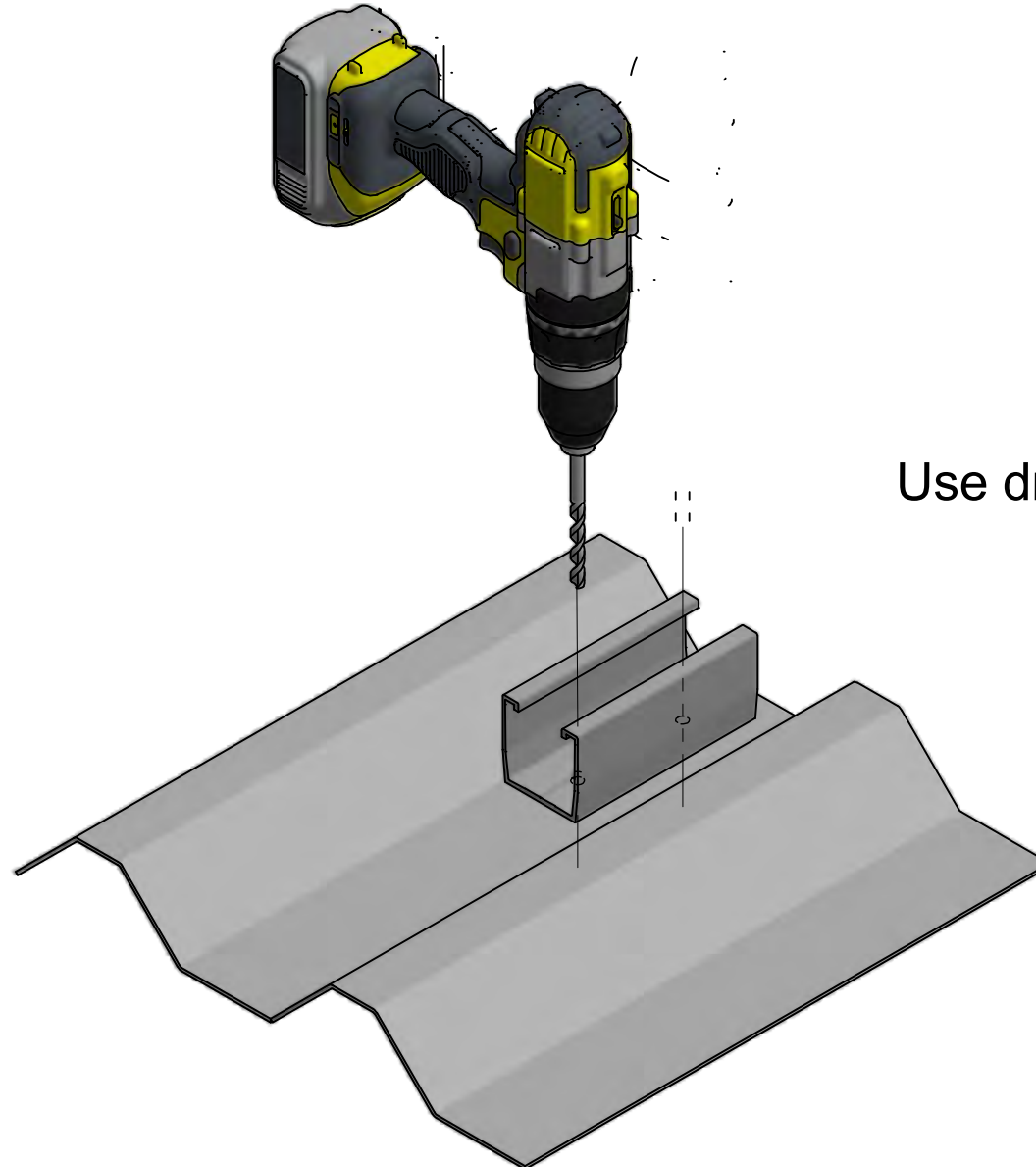
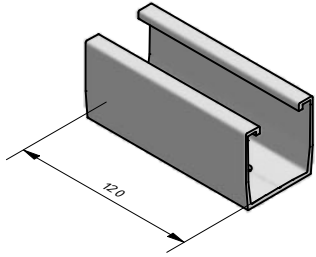
Landscape

Drilling the holes for the trapezium profile

VAN DER VALK



72.69.120

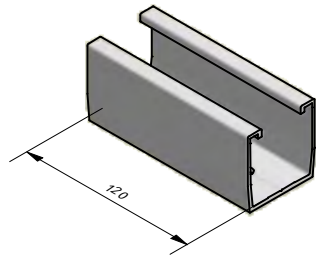


Use drill $\text{Ø}6,5\text{mm}$

Landscape

Mounting trapezium profile

VAN DER VALK

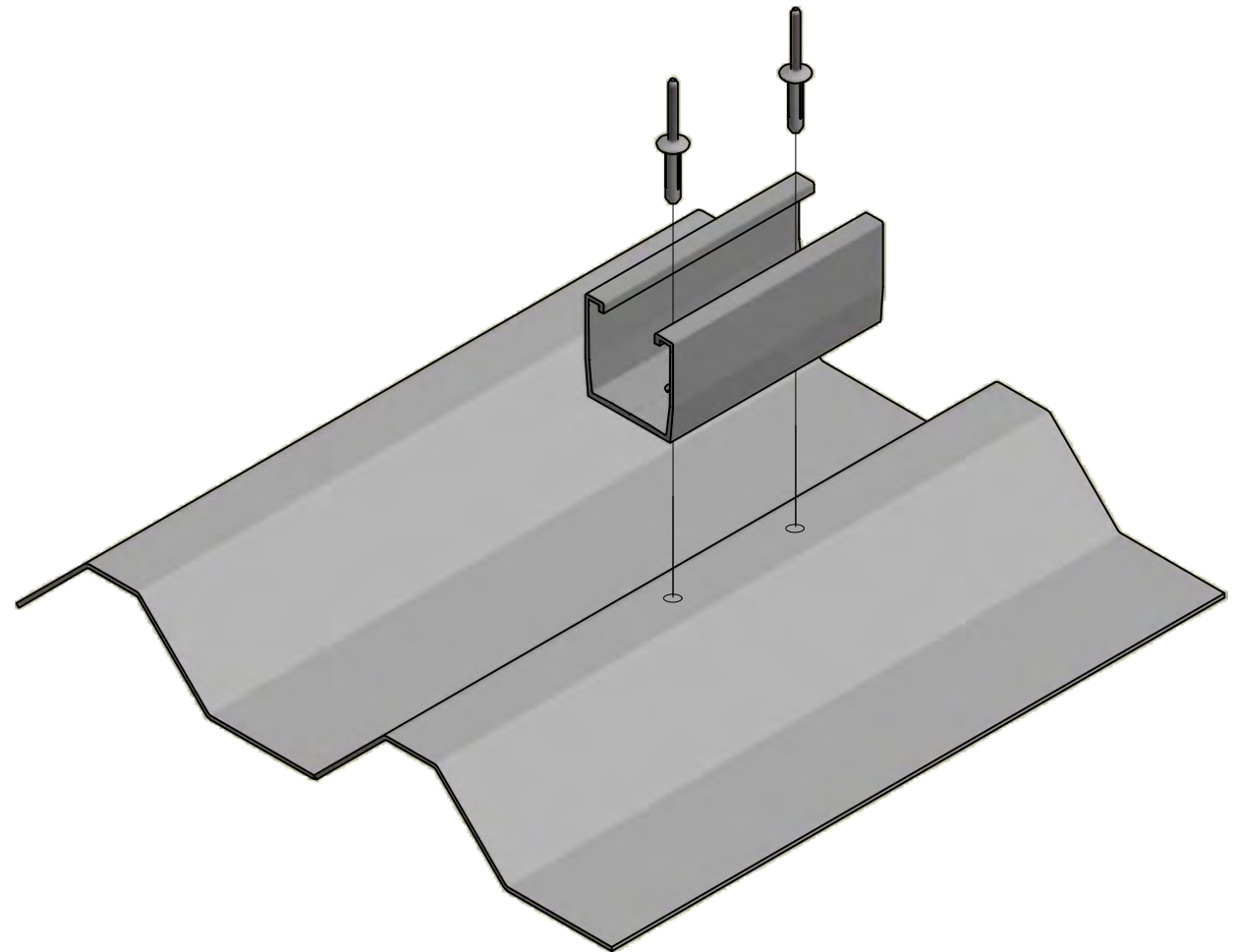


72.69.120



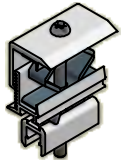
77.92.23

- * To assemble the blind rivets use an operating tool with a diameter of 6,5mm.
- * Mechanical tool must have a minimum Traction Power of 12,5Kn and a stroke of 21mm.

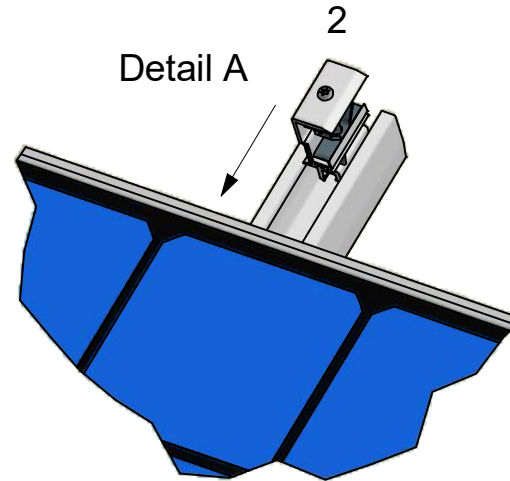
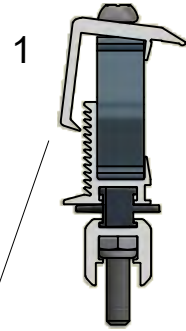




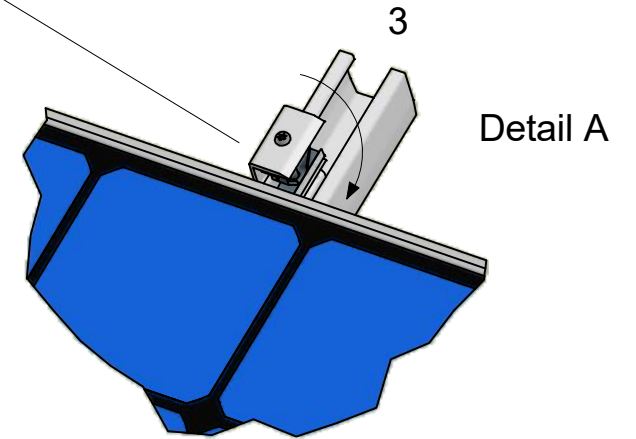
Landscape Mounting panels



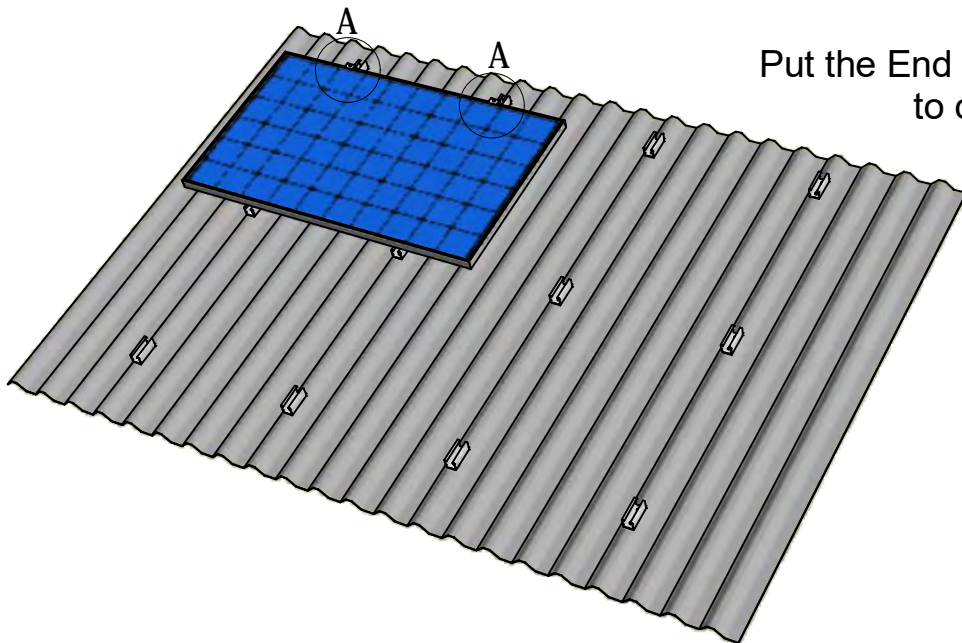
72.15.52



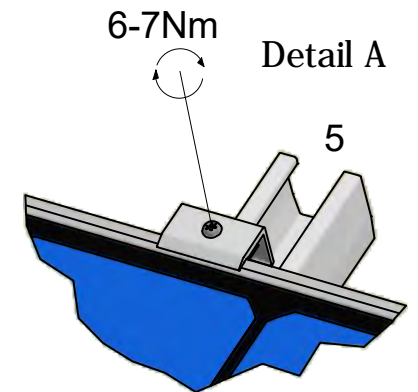
The End Clamp can only be turned clockwise, so make sure that the End Clamp is placed the right way.



Take the End Clamp out of it's slot to make the assembly easier.



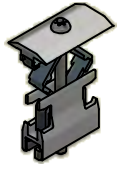
Put the End CLamp in the right slot to continue the assembly.





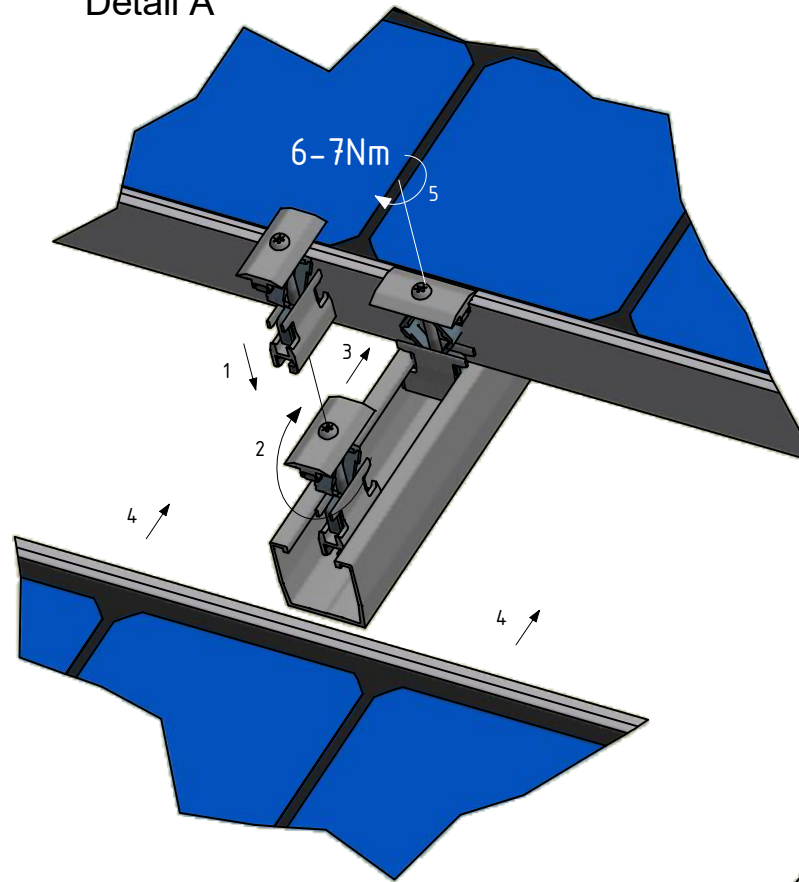
Landscape

Mounting panels



72.15.50

Detail A



Detail A

