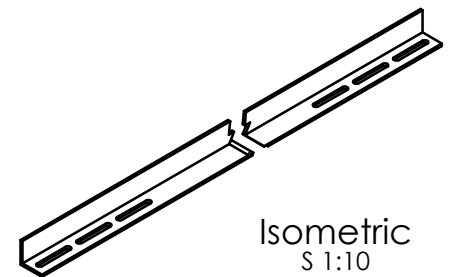
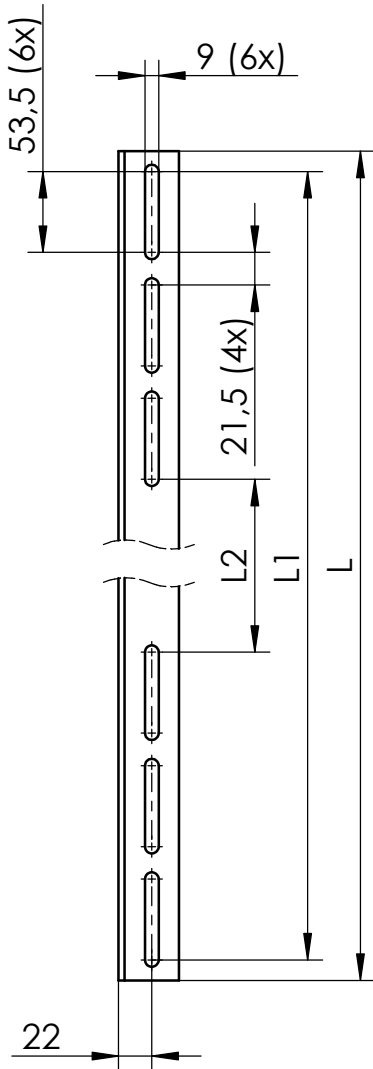


Maximum allowable ballast:

108 kg

distributed on mounted Porter Set (2 pieces)



| Item no. | Designation | L [mm] | L1 [mm] | L2 [mm] | weight [g/pc] | Modul dimension [mm] |
|----------|-------------------|--------|---------|---------|---------------|----------------------|
| 2003150 | Dome Porter short | 1844 | 1817 | 1410 | 1478,2 | 1448-1799 |
| 2003151 | Dome Porter long | 2195 | 2168 | 1761 | 1766,3 | 1799-2150 |



K2 Systems GmbH
Industriestr. 18
71272 Renningen
Germany
+49 7159 42059-0

Designation:

Data sheet
Dome Porter

| | | | | | |
|-------------|------------------|----------------------|--------------|-----------|----------------------|
| Name | Date | Material: | Item no.: | see table | A4 |
| Designed | S. Frey | EN AW 6063 T66 | | | |
| Approved | M. Wiggers | Surface: mill finish | Drawing no.: | 07-471-05 | All dimensions in mm |
| Last change | A. Gerstenberger | Weight: see table | Scale: 1:5 | | Sheet 1 of 1 |

This drawing is the sole property of K2 Systems GmbH. It is protected by copyright and may only be copied, reproduced or distributed to a third party with explicit permission!