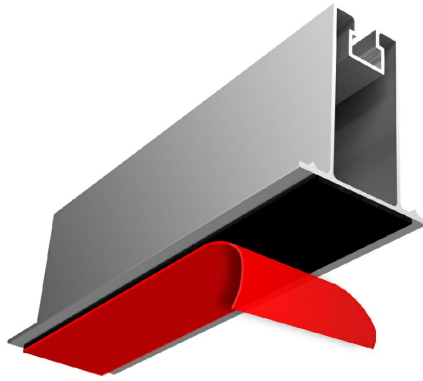
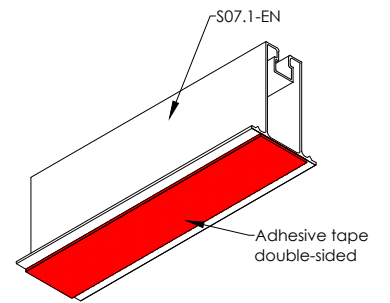
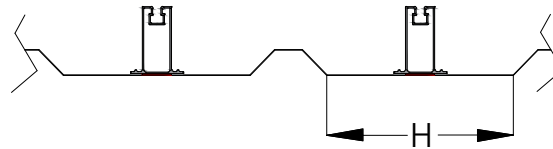


Check trough width; $H \geq 55\text{mm}$



Verify data sheet



- Primer can, available in three sizes; 30 ml, 50 ml and 250 ml.
- 30 ml Approx. 30 fixings
- 50 ml Approx. 80 fixings.
- 250 ml Approx. 400 fixings.

Not included



Recommended for roofs in a perfect state of repair.
The surface must be very clean and dry before mounting the fasteners. Use in combination with primer.
*It is recommended to use the primer with a sprayer.



Glued to sheet metal



Glue included

Specifications

Description	Fixing for all types of sandwich panel roofs
Anchoring surface	Sheet metal valley
Type of anchoring	Direct anchoring glued to sheet metal, without the need to drill holes.
Features	Profiles: EN AW 6005A T6 (raw or anodised) Adhesive tape included

Tools required



Sunfer Estructuras, S.L.U.

Safety:



100% Recyclable

Marking
ES19/86524 CE

www.sunferenergy.com

Subject to change without notice. Product illustrations are for illustrative purposes only and may differ from the delivered product.