



Product Certificate Number	20216-3-CER
Applicant	Huawei Technologies Co., Ltd Bantian, Longgang District, Shenzhen, 518129, P.R.China
Series	HUAWEI SUN2000L / SUN2000
Models/	SUN2000L-2KTL, SUN2000L-3KTL, SUN2000L-3,68KTL, SUN2000L-4KTL, SUN2000L-4,6KTL, SUN2000L-5KTL SUN2000-3KTL-M0, SUN2000-4KTL-M0, SUN2000-5KTL-M0, SUN2000-6KTL-M0, SUN2000-8KTL-M0, SUN2000-10KTL-M0 SUN2000-3KTL-M1, SUN2000-4KTL-M1, SUN2000-5KTL-M1, SUN2000-6KTL-M1, SUN2000-8KTL-M1, SUN2000-10KTL-M1
Type of generating unit	Photovoltaic Inverter
Technical Data	See page 2
Standard	UNE 206006 IN: 2011. Ensayos de detección de funcionamiento en isla de múltiples inversores fotovoltaicos conectados a red en paralelo.

Having assessed the test reports number: 20216-2-TR, 20216-3-TR, 20216-5-TR performed by Certification Entity for Renewable Energies, S.L based on the requirements of the EN ISO/IEC 17025:2005.

The above-mentioned generating unit complies with the requirements of the: **UNE 206006 IN: 2011.** Ensayos de detección de funcionamiento en isla de múltiples inversores fotovoltaicos conectados a red en paralelo.

This certification is according the CERE internal process PET-CERE-09 Rev 15 based on the requirements of the EN ISO/IEC 17065:2012. For this certification process the conformity assessment activities were based on:

- Testing of production samples selected by CERE.
- Audit of quality system according ISO 9001 with certificate number: FM 669363 issued by a certification body accredited according EN ISO/IEC 17021.
- Inspection of the manufacturing process.

Madrid at April 08, 2019. This certificate is valid until April 08, 2022

Miguel Martínez Lavin
Certification Manager

Technical data

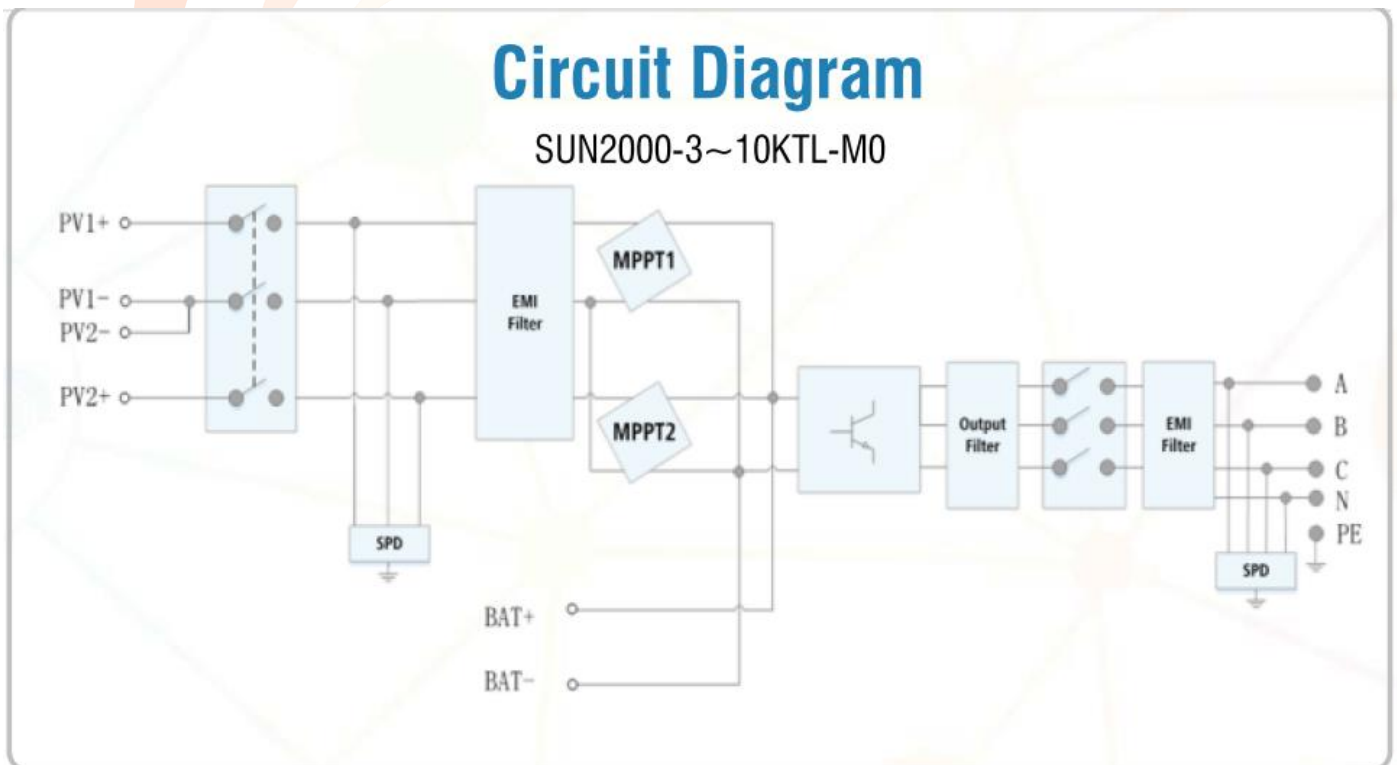
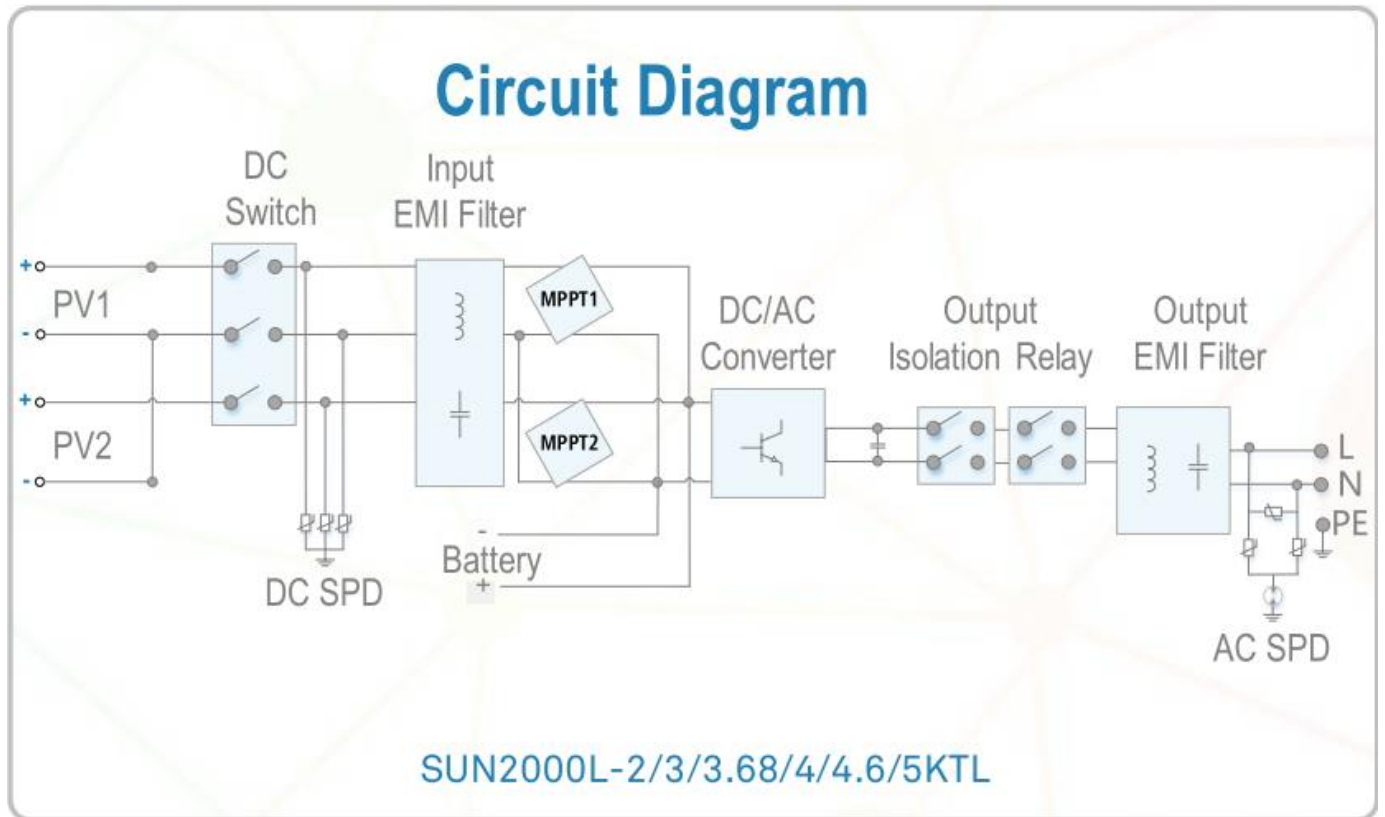
Technical Specification	SUN2000L-2KTL	SUN2000L-3KTL	SUN2000L-3.68KTL	SUN2000L-4KTL	SUN2000L-4.6KTL	SUN2000L-5KTL
Input						
Recommended max. PV power	3,000 Wp	4,500 Wp	5,520 Wp	6,000 Wp	6,900 Wp	7,500 Wp
Max. input voltage	600 V / 495 V					
Operating voltage range	90 V~ 600 V / 90 V~ 495 V					
Start-up voltage	120 V					
Full power MPPT voltage range	120 V ~ 480 V	160 V ~ 480 V	190 V ~ 480 V	210 V ~ 480 V	260 V ~ 480 V	260 V ~ 480 V
Rated input voltage	380 V					
Max. input current per MPPT	11 A					
Max. short-circuit current	15 A					
Number of MPP trackers	2					
Max. number of inputs per MPPT	1					
Output						
Grid connection	Single phase					
Rated output power	2,000 W	3,000 W	3,680 W	4,000 W	4,600 W	5,000 W
Max. apparent power	2,200 VA	3,300 VA	3,680 VA	4,400 VA	5,000 VA	5,500 VA (*)
Rated output voltage	220 V / 230 V / 240 V					
Rated AC grid frequency	50 Hz / 60 Hz					
Max. output current	10 A	15 A	16 A	20 A	23 A	25 A
Adjustable power factor	0.8 leading 0.8 lagging					
Max. total harmonic distortion	≤ 3 %					
Software Version	V100R001					

(*) The max output power as not more than 5,0kVA for RD1699/RD661 of Spain.

Technical Specification	SUN2000-3KTL-M0/M1	SUN2000-4KTL-M0/M1	SUN2000-5KTL-M0/M1	SUN2000-6KTL-M0/M1	SUN2000-8KTL-M0/M1	SUN2000-10KTL-M0/M1
Input						
Recommended max. PV power	6,150 Wp	8,200 Wp	10,250 Wp	12,300 Wp	14,880 Wp	14,880 Wp
Max. input voltage	1,100 V					
Operating voltage range	140 V ~ 980 V					
Start-up voltage	200 V					
Full power MPPT voltage range	140 V ~ 850 V	190 V ~ 850 V	240 V ~ 850 V	285 V ~ 850 V	380 V ~ 850 V	470 V ~ 850 V
Rated input voltage	600 V					
Max. input current per MPPT	11 A					
Max. short-circuit current	15 A					
Max. number of inputs	2					
Number of MPP trackers	2					
Output						
Grid connection	Three-phase					
Rated output power	3,000 W	4,000 W	5,000 W	6,000 W	8,000 W	10,000 W
Max. apparent power (cosφ=1)	3,300 VA	4,400 VA	5,500 VA	6,600 VA	8,800 VA	11,000 VA
Rated output voltage	220 Vac / 380 Vac, 230 Vac / 400 Vac, 3W / N+PE					
Rated AC grid frequency	50 Hz / 60 Hz					
Max. output current	5.1 A	6.8 A	8.5 A	10.1 A	13.5 A	16.9 A
Adjustable power factor	0.8 leading.. 0.8 lagging					
Max. total harmonic distortion	≤ 3%					
Software Version	V100R001					

Note: The M0 and M1 inverter families have identical software and hardware.

Electrical Diagram of HUAWEI SUN2000L / SUN2000 Series:





The sample selected to test was representative of the production. The sample was selected in:

Huawei Technologies Co., Ltd.
No.2, City Avenue Songshan Lake Sci.&Tech. Industry Park
523808, Dongguan, Guandong, P.R. China

Sample Report Number:

20216-1-TM

The inspection of manufacturing process was performed in:
On 24th of January of 2019

Huawei Technologies Co., Ltd.
No.2, City Avenue Songshan Lake Sci.&Tech. Industry Park
523808, Dongguan, Guandong, P.R. China

Inspection Report Number:

20216-1-1-IF

